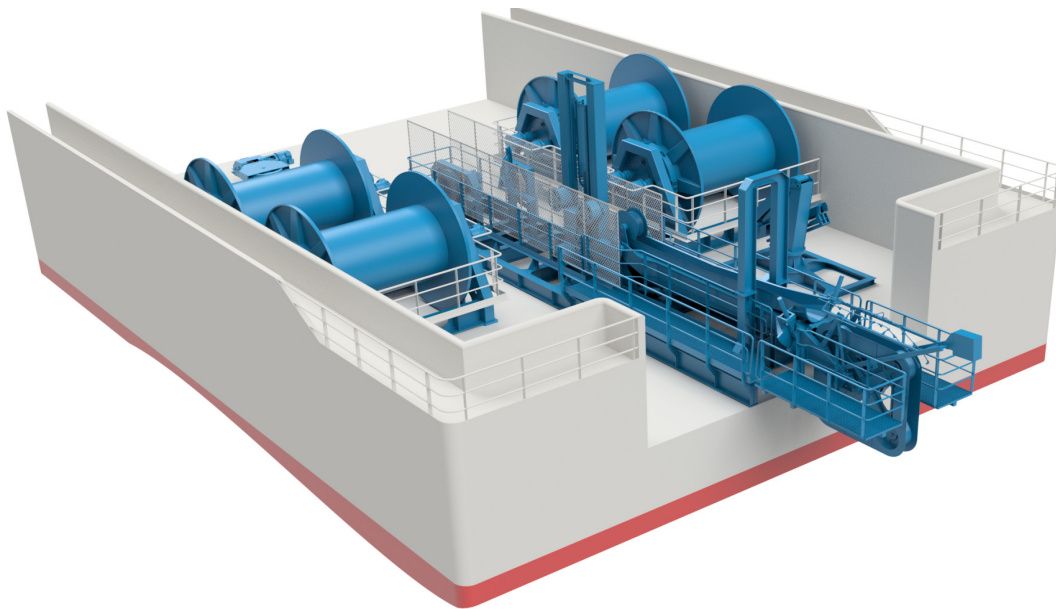


Marine Technologies | Node-on-the-Rope D&R System

Jointly developed by ION and Evotec, the automated OBN deploy/retrieve system brings together a technology leader with a history of innovation and a world-class marine engineering company at the forefront of seismic handling systems design.

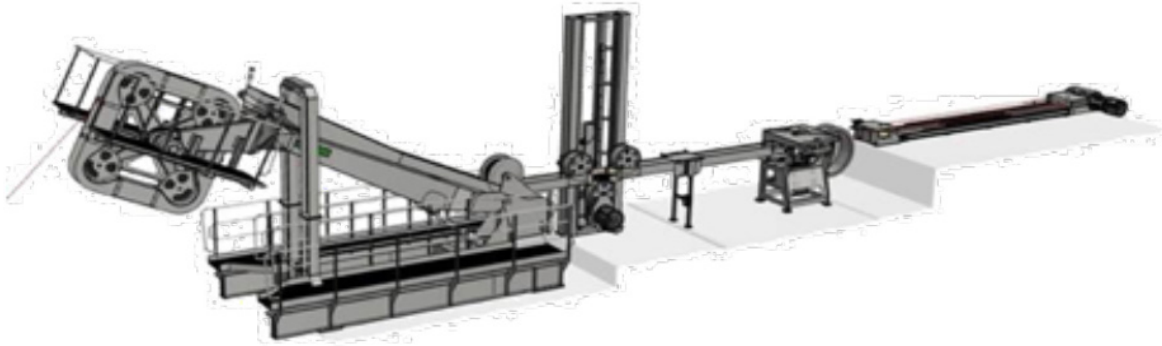


KEY BENEFITS

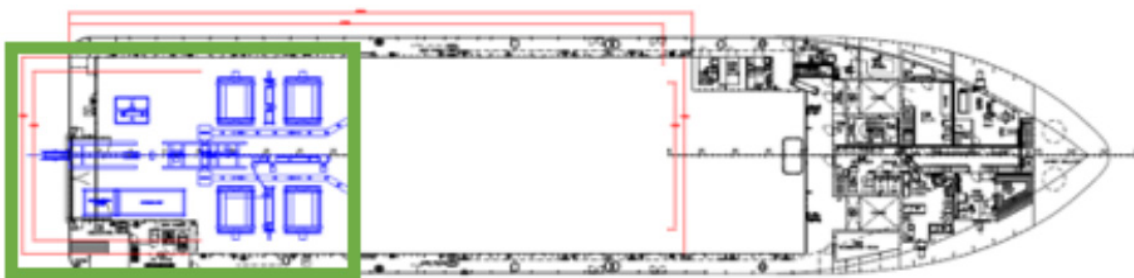
- High productivity
 - Deploy and retrieve nodes at 5+ knots (based on 25m node spacing)
 - Heave-compensated up to sea-state 6 (wave height 4 – 6m)
 - Integrated Command & Control environment
 - Electric drives for precise tension, position and speed control of winches and compensators

- Excellent OHSE characteristics
 - Reduced exposure rates through de-manning of operations
 - Unique concept that stops the carrier line to attach/detach the node

- Improved economics
 - Flexible, modular and scalable design
 - Node agnostic
 - Nodes can be deployed at any spacing



All systems within the main back deck system (Deploy/Retrieve, Node Attachment and Carrier Line) are integrated into the Gator Command and Control software system.



Deck space requirement c. 450m²

About ION

ION has been a technology leader for 50 years with a strong history of innovation. Leveraging innovative technologies, ION creates value through data capture, analysis and optimization to enhance companies' critical decision-making abilities and returns. Our offerings are focused on improving E&P decision-making, enhancing reservoir management and optimizing offshore operations.